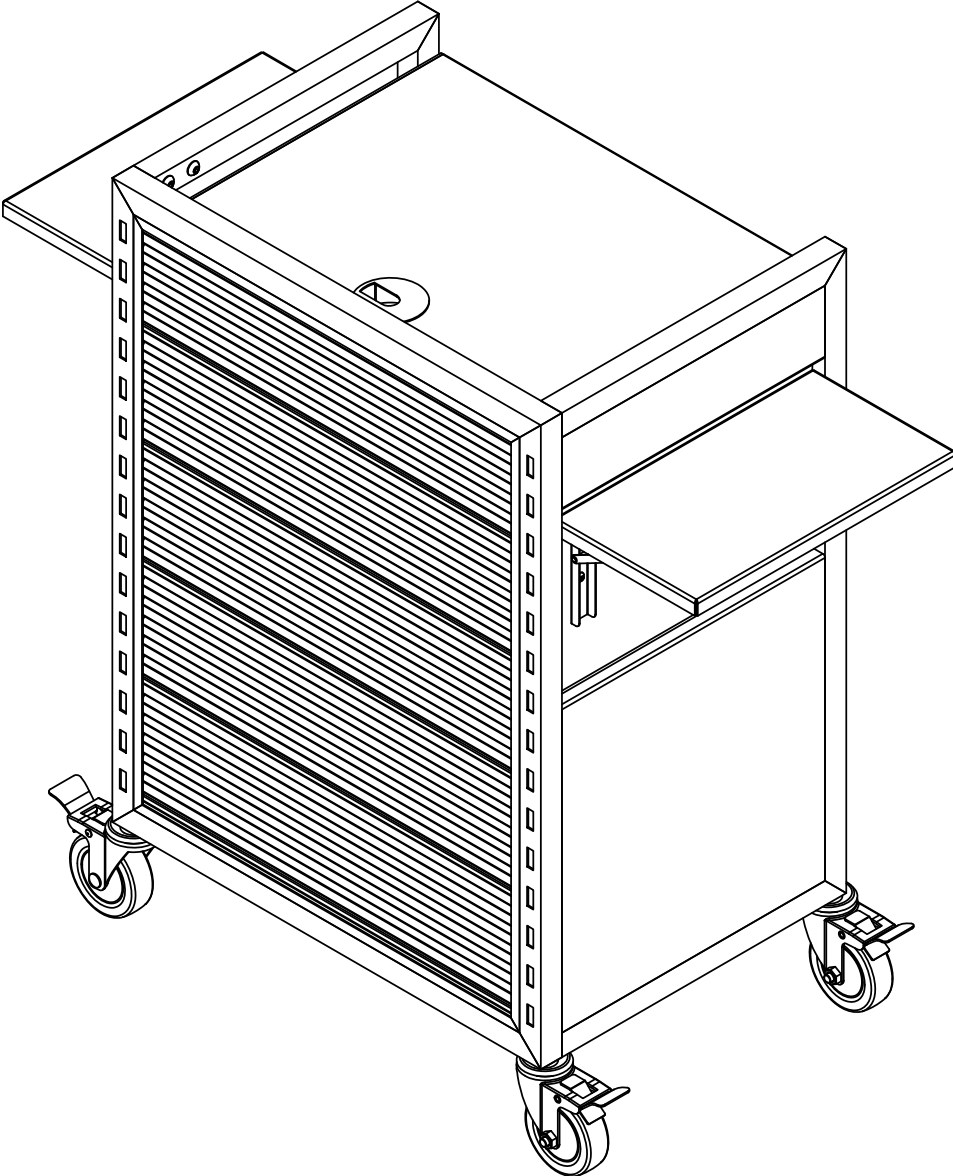


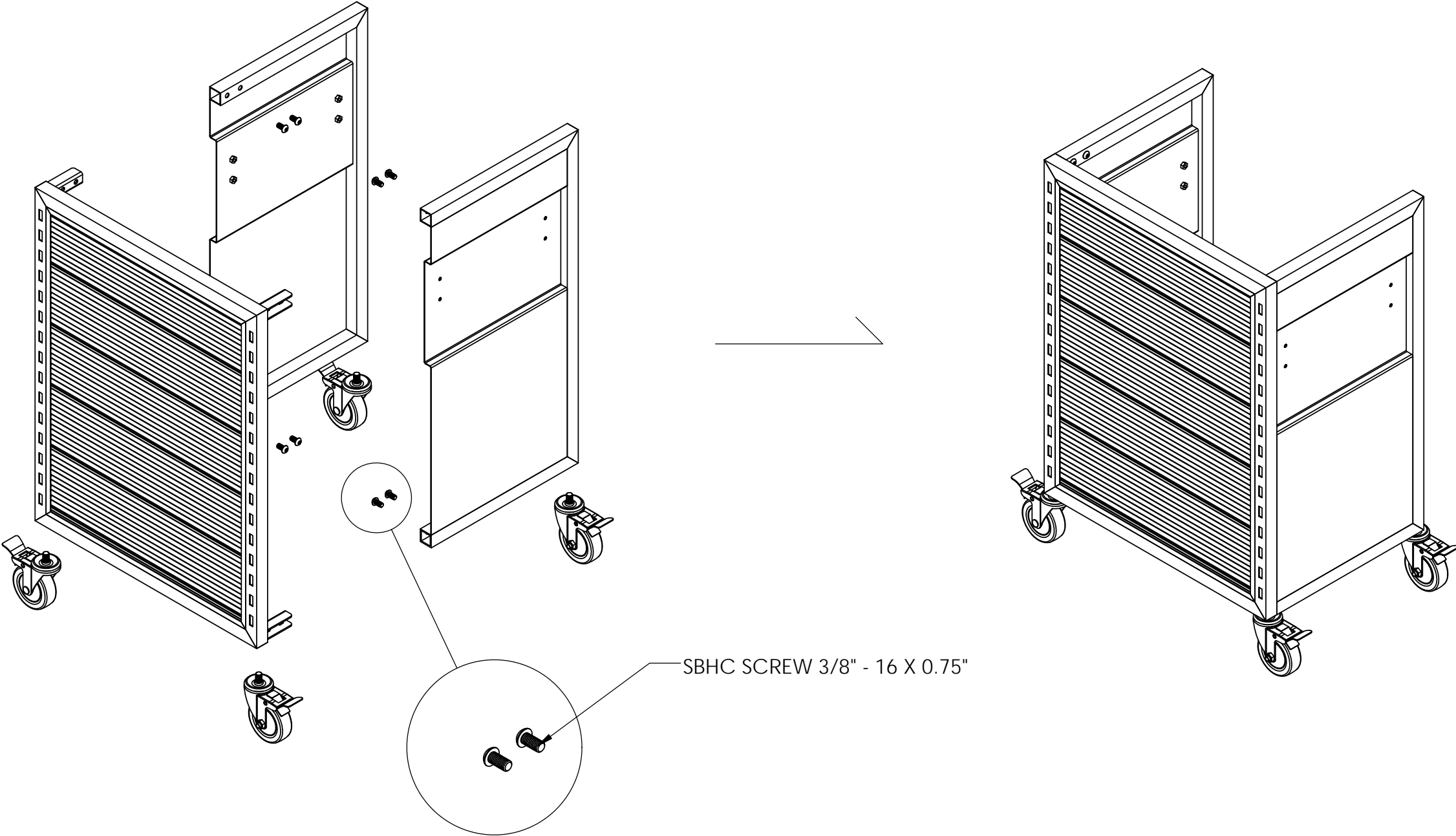
# ASSEMBLY INSTRUCTIONS

952 - M - CWRAP - ( CASH WRAP )



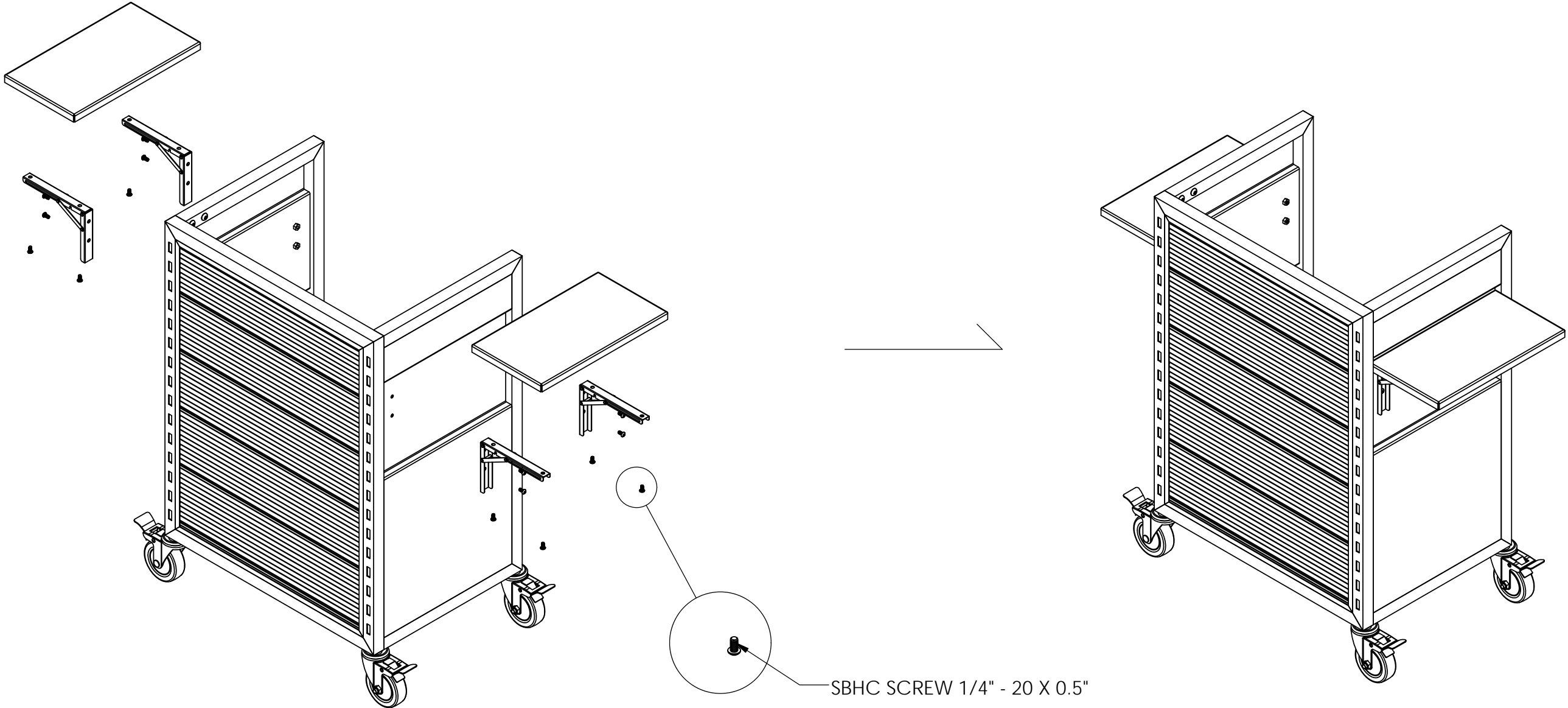
# ASSEMBLY INSTRUCTIONS

STEP 1:



# ASSEMBLY INSTRUCTIONS

STEP 2:



# ASSEMBLY INSTRUCTIONS

STEP 3:

